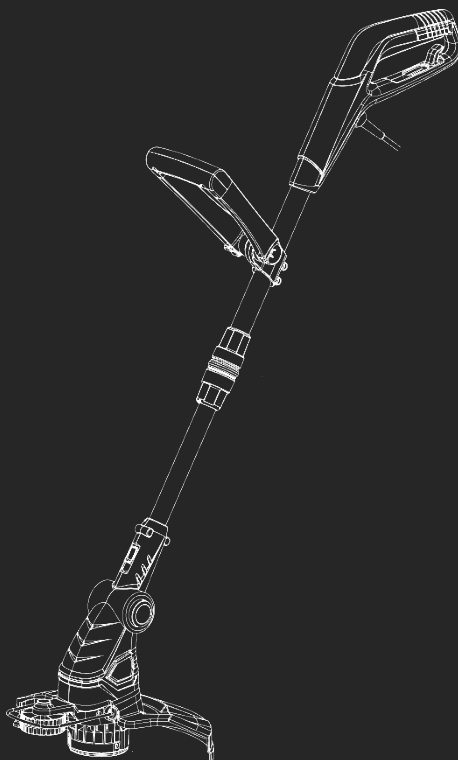


HYUNDAI
POWER PRODUCTS

GRASS TRIMMER HYTR600E

Instruction Manual



WARNING: Read the instructions carefully before use.

Contents

Introduction.....	3	Maintenance & Care.....	29-35
Safety Information.....	4-12	General Maintenance.....	29
Understand Your Machine.....	4	Cleaning.....	29
Personal Safety.....	4-5	Replacing Trimmer Line.....	30-31
Inspect Your Machine.....	5	Replacing Spool.....	32-33
Work Area.....	6	Snapped Trimmer Line.....	34
During Use.....	7	Troubleshooting.....	34
Batteries.....	8	Storage.....	35
Electricity.....	8-9	Specification.....	36
Double Insulated Devices.....	9	Recycling And Disposal.....	37
Vibrations.....	10	Declaration Of Conformity.....	38
Noise.....	10	Useful Information.....	39
Residual Risks.....	10	Our YouTube Channel.....	39
Intended Use.....	11	Manual Updates.....	39
Personal Protective Equipment.....	12	Returning Your Product.....	39
Symbols On The Machine.....	13	Leaving A Review.....	39
Unboxing.....	14	Ordering Spare Parts.....	39
In The Box.....	15	Product Record.....	40
Features.....	16-17	Contact Us.....	41
Assembly.....	18-24		
Assembly Overview.....	18		
Attach The Guard.....	18		
Adjust Handle.....	19		
Height Adjustment.....	20		
Plant Guard.....	21		
Lawn Edging Wheel.....	22		
Connecting Cable.....	23		
Cable Holder On Handle.....	24		
Operation.....	25-28		
Automatic Line Feed.....	25		
Cutting Head Angle Adjustment.....	25		
Lawn Edging.....	26		
Tips For Use.....	27		
Before Use.....	27		
Starting.....	28		
Stopping.....	28		

Introduction

Thank You For Purchasing Your HYUNDAI Product

We work very hard to give all of our customers the best possible service. If you have any problems, before leaving negative feedback, please contact us to give us a chance to resolve the issue. We would be delighted if you left us positive feedback! Thank you for purchasing this product.

Important!



WARNING: READ THE INSTRUCTION BOOKLET THOROUGHLY BEFORE USING THE MACHINE. Keep for future reference and pass it on if the machine is loaned or sold to another user.

This manual has been produced by Hyundai Power Products and should be kept with the product. Please read and understand these instructions before you use your product. Failure to do this may result in personal injury or damage to the product.

The safety precautions and warnings are to ensure your safety and protect you from harm or damage to the product.

The information contained in this manual was accurate at the time of production, however HYUNDAI Power Products may make modifications to the product without notification.

Safety Information

Understand Your Machine

- **WARNING!** You must read these instructions carefully before operating the machine. Make sure that you are familiar with the controls and properly operate the machine. You must learn how to stop the machine quickly. If you do not follow the warnings and instructions, it may result in fire and/or serious injury. Make sure to save all warnings and instructions for future reference.
- Read this manual and labels affixed to the machine to understand its limitations and potential hazards.
- Be thoroughly familiar with the controls and their proper operation. Know how to stop the machine and disengage the controls quickly.
- If the unit is to be used by someone other than original purchaser, or is to be loaned, rented, or sold, always provide this manual and any needed safety training before operation. You are responsible for making sure that accidents, personal injury and the risk to other people and property is avoided by reading and understanding this manual.
- Do not force the machine beyond its limits. Use the correct machine for your application.
- Know how to stop the machine quickly in case of emergency. Understand the use of all controls.
- ALL MAINTENANCE other than that listed in this manual, should be carried out by professionally trained and certified personnel.
- When using this machine for the first time and before actual work, you **MUST** learn how to handle the machine from an experienced or skilled person.

Personal Safety

- **WARNING!** Never allow children or people unfamiliar with these instructions to use the product. Local regulations can restrict the minimum age of the operator.
- Keep children, pets, and other people not using the unit away from the work area (at least 15m). Be alert and shut off the unit if anyone enters work area. Keep children under the watchful care of a responsible adult.
- Stay alert, watch what you are doing and use common sense when operating the machine. Never operate the machine when unwell or tired, or if you have taken alcohol, medicine, drugs or any substances which may slow your reflexes and compromise judgment. A moment of inattention while operating the machine may result in serious personal injury.
- Appropriate Personal Protective Equipment (PPE), **MUST** be worn at all times when operating or repairing the machine. Always wear anti-slip and resistant work footwear and long trousers while using the machine. Do not use the machine when barefoot, wearing sandals or similar lightweight footwear. Do not wear chains, bracelets or clothing that is loose fitting or hanging ties or cords. Tie long hair back. Always wear protective earplugs. Loose clothes, jewellery, or long hair can be caught in moving parts. Protect eyes, face, and head from objects that may be thrown from the unit. Always wear safety goggles or safety glasses with side shields when operating.
- Always keep hands and feet away from all moving parts during operation. Moving parts can cut or crush body parts. Always keep hands and feet away from all pinch points.

Safety Information

Personal Safety (Continued)

- Do not touch parts that might be hot from operation. Allow parts to cool before attempting to maintain, adjust, or service.
- Do not overreach. Keep proper footing and balance at all times. This enables better control of the machine in unexpected situations. Extending your body too far can result in a loss of balance and you may fall which will result in injury.
- Never place any part of your body where it would be in danger if movement should occur during assembly, installation, and operation, maintenance, repairing or moving.
- Keep in mind that the operator or user is responsible for accidents, hazards or unexpected events involving the machine that occur to other people or their property. It is the responsibility of the user to assess the potential risk of the area where work is being carried out. The operator or user must take all necessary precautions to ensure their own safety and that of others, especially on slopes or rough, slippery and unstable ground.

Inspect Your Machine

- Check your machine before starting it. Keep guards in place and in working order. Make sure all nuts, bolts, etc., are securely tightened.
- You must check the general condition of the machine before use.
- Never operate the machine when it is in need of repair or is in poor mechanical condition. Replace damaged, missing, or failed parts before using it. Check for fuel leaks. Keep the machine in safe working condition.
- Do not use the machine if the machine's switch does not turn off the machine when running. Any machine that can't be controlled with the switch is dangerous and must be replaced.
- Regularly check to see that keys and adjusting wrenches are removed from the machine area before starting it. A wrench or a key that is left attached to a rotating part of the machine may result in personal injury.
- If the machine should start to vibrate abnormally, stop the machine and check immediately for the cause. Vibration is generally a warning sign of trouble.
- Avoid accidental starting. Be sure the switch is off before transporting the machine or performing any maintenance or service on the unit. Transporting or performing maintenance or service on a machine with its switch on invites accidents.
- Do not tamper with or disable safety systems.
- Only use manufacturer-recommended attachments.
- Before using, always visually inspect to see that the tools are not worn out or damaged. Replace worn out or damaged elements and bolts in set to preserve balance.
- Keep the machine in good operating condition. Operating the machine in poor or questionable condition could result in serious injury.
- Be sure all safety devices are in working order and warning labels are in place. These items are installed for your safety.

Safety Information

Work Area

- You must only work in daylight or with good artificial light in good visibility conditions. Do not work at night, at times of heavy fog, or at any other times when your field of vision might be limited and it would be difficult to gain a clear view of the area.
- Keep people, children and animals away from the working area.
- Operate on flat, level ground.
- DO NOT work on wet ground. If there has been heavy rain on the working site, wait until the ground has dried up.
- Never use the machine on unstable ground which could give way and always rest the machine in a safe, solid area when not in use.
- You must be careful near ravines, ditches or embankments.
- Exercise extreme caution when operating on or crossing gravel drives, walks, or roads. Stay alert for hidden hazards or traffic.
- Do not work in the rain, when there is a thunderstorm or lightning risk, at times of strong or gale force winds, or at any other times when the weather conditions might make it unsafe to use this product. If there is bad weather conditions, do not use the machine.
- Make sure you thoroughly inspect the entire work area and remove all objects and anything that could be thrown by the machine or could damage the machine (branches, stones, wire, toys, etc). Attempting to clear the work area whilst using the machine will reduce your concentration and creates a trip hazard. Any liquid spilled on the floor may result in you slipping.
- Find and locate all fixed objects in the ground, such as sprinkler systems, poles, water valves, bases for washing lines etc. Make sure that you check for hidden electrical cables or similar on the surface of the lawn. ALWAYS run the machine around these objects. NEVER run the machine over foreign objects.
- DO NOT operate power tools in explosive atmospheres, such as in the presence of flammable liquids, gases or dust. Power tools may create sparks, which may ignite the dust or fumes.
- This machine is only for outdoor use.

Safety Information

During Use

- Do not operate the machine in confined areas where there may be a risk of crushing the operator between the machine and another object.
- •Never attempt to make any adjustments, while the machine is running.
- You must switch off the machine:
 - Before checking or working on the machine.
 - When transporting the machine.
 - Whenever you leave the machine unattended.
 - If the machine starts to vibrate abnormally.
- **WARNING!** If something breaks or an accident happens whilst working, you must turn off the machine immediately and move the machine away to prevent further damage. If an accident happens with injuries or third parties are injured, carry out the first aid measures most suitable for the situation immediately and contact the medical authorities for any necessary health care. Carefully remove any debris that might cause damage or harm persons or animals should it not be seen.
- After striking a foreign object, stop the machine immediately and inspect the machine thoroughly for damage. Repair the damage before continuing.
- Keep extension cord away from cutting elements.
- Never operate the machine with damaged guards or without the guard in place.
- Keep hands and feet away from the cutting means at all times especially when switching on the motor.
- Take care against injury from the blade fitted for trimming the filament line length. After extending new cutter line, always return the trimmer to its normal operating position before switching on.
- Never operate the machine without the defective guards or shields, or without safety devices, or if the cord is damaged or worn.

Safety Information

Batteries (Where Present)

Batteries present a risk if they become damaged by the possible leaking of electrolyte. This electrolyte is an acid and can cause serious burn injuries. Care should be taken when working on or near them. **NOTE:** the electrolyte may be in a liquid or gel form.

Should you come in to contact with electrolyte you should;

- Remove all clothing contaminated with electrolyte. If you cannot remove then saturate them in water.
- Get medical assistance as soon as possible.

You must advise the medical staff of the type of acid.

- Lead/acid battery = dilute sulphuric acid.
- Nickel/cadmium = potassium hydroxide alkali electrolyte.
- Use fresh running water to wash off excess electrolyte, continue this until medical assistance arrives. Make sure that you do not wash the electrolyte to another part of your body or face.
- If electrolyte comes in to contact with eyes the electrolyte needs to be immediately washed away with large amounts of water. Make sure that you do not wash the electrolyte to another part of your face or body.
- Gasses from charging batteries are highly flammable and great care should be taken to charge in well ventilated areas.



- There is an explosion risk if the battery terminals are short circuited, when connecting/disconnecting ALWAYS exercise great care so that the terminals or battery leads are NOT allowed to touch and cause a spark. ALWAYS use suitable insulated tools.

Electricity (Where Applicable)

DANGER : ELECTRICITY CAN KILL – NEVER WORK ON LIVE / ENERGISED EQUIPMENT.



- Prior to carrying out any maintenance work you MUST identify electrical isolation methods and isolate all electrical supplies.
- Prior to use and with all electrical supplies isolated, you MUST check all electrical cables, plugs and connectors for the following;
 - Are intact and have no signs of damage, to include but not limited to bare wires, chaffing, cuts and loose wiring.
 - If there are any signs of damage, the damaged item MUST be taken out of service until the damage has been repaired by an electrically competent person.
 - All trailing cables should be routed so as not to cause any kind of trip hazard.
 - NEVER work on or near electricity with wet hands, wet clothing and wet gloves.

Safety Information

Electricity (Continued)

- Power tools plug must match the outlet. Never modify the plug in any way. DO NOT use any adapter plugs with earthed (grounded) power tools. Unmodified plugs and matching outlets will reduce risk of electric shock.
- DO NOT expose this power tool to rain or wet conditions. Water entering a power tool will increase the risk of electric shock. DO NOT abuse the power cord. Never use the cord for carrying, pulling or unplugging the power tool. Keep the cord away from heat, oil and sharp edges or moving parts. Damaged or entangled cords increase the risk of electric shock. When operating a power tool, use an extension cord suitable for outdoor use. Use of a cord suitable for outdoor use reduces the risk of electric shock.
- **IMPORTANT:** Make sure that the electric circuit is fused, and that the power, voltage and frequency of the motor is supported by your mains supply. Also, make sure that your power supply is earthed. Connect your machine to earth. Never open the ON/OFF switchbox. However, if it should become necessary to do so, contact a qualified electrician. Make sure that you will never touch live contacts, specifically when you plug or unplug your machine. This machine and its power cord must never get into contact with water.
- Avoid body contact with earthed or grounded surfaces such as pipes, radiators, ranges and refrigerators. There is an increased risk of electric shock if your body is earthed or grounded.
- To prevent electric shock, use only with an extension cord suitable for outdoor use. For additional protection, the installation of a residual current device (RCD) having a rated residual operating current not exceeding 30mA is advisable.
- Before use, check that the extension cord is in good condition. When using an extension cord, make sure to use one heavy enough to carry the current your product will draw. An undersized cord will cause a drop in line voltage resulting in loss of power and overheating.
- Do not allow any part of the machine to make contact with water while it is in operation. If the appliance becomes wet while turned off, wipe dry before starting. Do not touch the appliance or its plug with wet hands or while standing in water. Wearing rubber boots offers some protection.
- Before use, check the supply and extension cord for signs of damage or aging. If the cord becomes damaged during use, disconnect the cord from the supply immediately. If the supply cord is damaged, it must be replaced by the manufacturer or a qualified person in order to avoid a hazard.

Double-Insulated Appliances

In a double-insulated appliance, two systems of insulation are provided instead of grounding. No grounding means that it is already provided on a double-insulated appliance. Servicing a double-insulated appliance requires extreme care and knowledge of the system, and should be performed only by qualified service personnel. Replacement parts for a double-insulated appliance must be identical to the parts they replace.

Safety Information

Vibrations (Where Applicable)

- Prolonged use of hand held (operated) machines will cause the user to feel the effects of/from vibrations. These vibrations can lead to white finger (Raynaud's phenomenon) or carpal tunnel syndrome. This condition reduces the ability of the hand to feel and regulate temperature, causing numbness and heat sensations and may cause nerve damage and circulatory tissue death.
- Not all factors that lead to white finger disease are known, but cold weather, smoking and other diseases that affect blood vessels and blood circulation as well as large and long-lasting impact of shocks are considered factors in the formation of white finger. Note the following to reduce the risk of white finger and carpal tunnel syndrome;
- Wear gloves and keep your hands warm.
- Take regular breaks.
- All of the above precautions may help reduce the risk of white finger disease but not rule out the carpal tunnel syndrome. Long-term and regular users are therefore recommended to observe the condition of your hands and fingers. Seek medical attention immediately if any of the above symptoms should occur.

Noise (Where Applicable)

- The operating noise of the machine can damage your hearing. When wearing protection such as ear plugs or ear defenders to protect your hearing. Long-term and regular users are advised to have hearing checked regularly. Be especially vigilant and cautious when wearing ear protection because your ability to hear alarm warnings will be reduced.
- Noise emissions for this equipment is unavoidable. Carry out noisy work at approved times and for certain periods. Limit the working time to a minimum. For your personal protection and protection of people working nearby it is also advisable for them to wear hearing protection.



- See Certificate of Conformity section for Outdoor Noise declaration of conformity.

Residual Risks

Even when tool is used as prescribed it is not possible to eliminate all residual risk factors. The following hazards may arise in connection with the tool's construction and design:

1. Damage to lungs if an effective dust mask is not worn.
2. Damage to hearing if effective hearing protection is not worn.

Health defects resulting from vibration emission if the power tool is being used over longer period of time or not adequately managed and properly maintained.

▲ WARNING! This machine produces an electromagnetic field during operation. This field may under some circumstances interfere with active or passive medical implants. To reduce the risk of serious or fatal injury, we recommend persons with medical implants to consult their physician and the medical implant manufacturer before operating this machine.

Safety Information

Intended Use

The HYTR600E is an electric grass trimmer from HYUNDAI. The HYTR600E has a cutting width of 300mm and is powered by a 600W HYUNDAI motor.

This machine is a garden tool and precisely a pedestrian controlled grass trimmer. The machine is manufactured according to the latest safety requirements. Every precaution is only effective when it is followed exactly.

Intended Use

This machine was designed and manufactured for cutting grass in gardens and grassy areas, in areas in proportion to its cutting capacity, controlled by a pedestrian operator.

User Types

This machine is intended for use by consumers, i.e. non professional operators. The machine is intended for "DIY" and domestic use only.

Improper Use

Any other usage not in keeping with the above mentioned ones may be hazardous and harm persons and/or damage things. Examples of improper use may include, but are not limited to:

- Using the machine to trim hedges.
- Cutting anything other than grass.
- Using the blade on surfaces other than grass.
- Never fit with metal cutting elements.

Safety Information

Personal Protective Equipment

Appropriate Personal Protective Equipment (PPE), MUST be worn at all times when operating or repairing the machine. No protective equipment can ensure 100% protection.

When selecting PPE, make sure it's CE marked and it suits the user in terms of size, fit, etc. If more than one item of PPE is worn at the same time, make sure they can be used together, e.g. wearing safety glasses may disturb the seal of a respirator, causing air leaks.



Hand Protection Must Be Worn

Protective electrically non-conductive gloves are highly recommended when working.



Foot Protection Must Be Worn

Non-skid heavy duty footwear are highly recommended when working.



Hearing Protection Must Be Worn

Suitable safety hearing protection is recommended.



Eye Protection Must Be Worn

Always wear safety glasses/goggles and/or face shields. Everyday eyeglasses have only impact resistant lenses; they are not safety glasses/goggles.



Protective Clothing Must Be Worn

Do not wear loose clothing, gloves, scarfs, neckties or jewellery (rings, wrist watches), which can be caught in moving parts.



Head Protection Must Be Worn

Wear a safety helmet with a safety visor.



Face Shield Must Be Worn

Wear a face shield to protect your face.














Respirator Must Be Worn

Wear a respirator.

Safety Information

⚠ Symbols On The Machine

We have provided safety messages in this manual and on the machine. This information alerts you to potential hazards that could hurt you or others. Please read these messages carefully. However, we may not have listed all of the possible hazards, you must also use your own judgement.

Symbol	Description	Symbol	Description
	Safety alert – Indicates a precaution, a warning or a danger.		Disconnect the mains plug if the cord becomes damaged or entangled.
	Do not expose to rain.		Class II tools symbol.
	Wear hearing protection.		Wear eye protection.
	Read operator's manual.		This product complies with the European directives and an evaluation method of conformity for these directives was done.
	The UKCA (UK Conformity Assessed) marking is a UK product marking that is required for goods being placed on the market in Great Britain (England, Wales and Scotland).		Keep bystanders at a safe distance away from the work area.
	Disposal.		

Unboxing

⚠ WARNING : Unboxing and assembling the machine should be done on a flat, surface with enough room. Disposal of the packaging should be done in accordance with the local regulations in force.

⚠ WARNING : Some of the packaging material may be harmful to children. Keep out of reach of children.

1. Carefully remove the product from the packaging and examine it for any sign of damage caused during shipping.
2. Lay the contents out and check them. If any part is damaged or missing, you must not use the machine. Contact HYUNDAI POWER PRODUCTS immediately.
3. You must keep the packaging material in case the machine needs to be returned or repaired.
4. Ensure that you have all the accessories and tools you need for assembly and operation including the suitable personal protective equipment.

We recommend that you fill out the information in the 'Product Record' section. If you need to contact an authorised dealer or customer service, you may need to provide this information.

In The Box

*Not To Scale



A Main Unit

B Lawn Edging Wheel

You can attach the edging wheel when you want to use the edging function. You can use it to help you guide the machine across the edge of the lawn for a tidy finish.

C 3 x Screws

(1 screw is for the guard and the other 2 are for the lawn edging wheel.)

D Guard

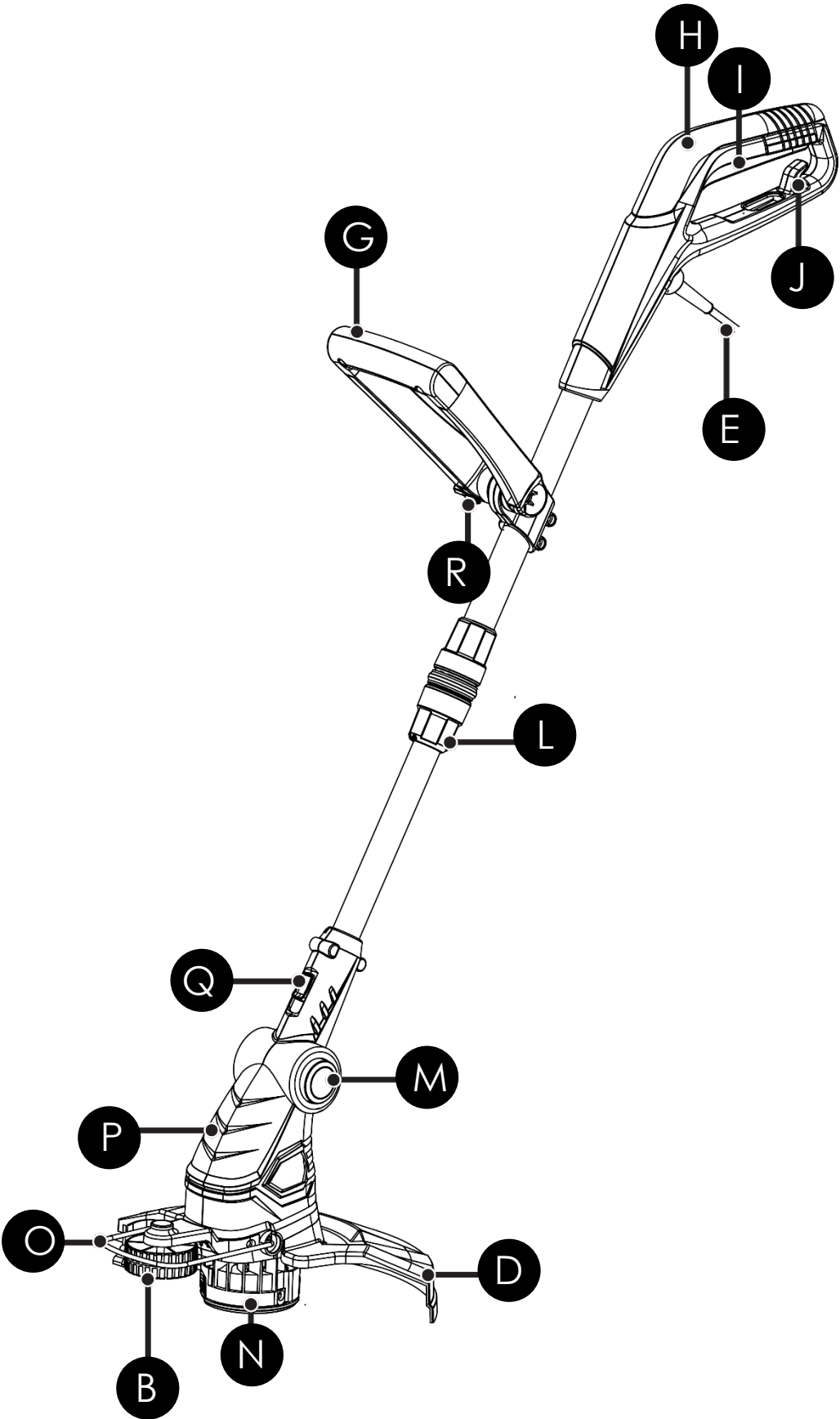
This will protect you from any debris and grass.

E Cable With UK Plug

F Cable Tidy For Storage

You can use this to wrap the cable around when in storage to keep the cable tidy.

Features



Descriptions on next page 

Features

- G D-Handle**
This handle is for extra support. You can fold it down when not in use by using the D Handle Knob **(R)**.
- H Main Handle**
You must hold this handle when using the machine.
- I Trigger Switch**
This switch is used for starting and stopping the machine.
- J Cable Holder**
This holds the cable in place while in use and prevents strain on the cable.
- E Cable**
- L Telescopic Handle Knob**
You can use this to adjust the height of the pole.
- M Rotatable Head Lock**
There is a button either side of the machine. When both are pushed in, you are able to adjust the angle of the head.
- D Guard**
This will protect you from any debris and grass.
- N Trimmer Head**
This is what cuts the grass. It automatically feeds out new line when needed.
- B Lawn Edging Wheel**
You can attach the edging wheel when you want to use the edging function. You can use it to help you guide the machine across the edge of the lawn for a tidy finish.
- O Plant Guard**
You can use this guard to protect flowers and plants when grass trimming.
- P Motor Head**
This is where the motor is that powers your machine.
- Q Rotatable Angle Switch**
This will allow you to rotate the head through 180 degrees.
- R D-Handle Knob**
You can unscrew this knob to loosen the D-handle and then you can fold it down against the machine or change the angle of it. You must then tighten the knob once you are happy with the position of the handle.

Assembly

! You will need a Phillips screwdriver for assembly.

Assembly Overview

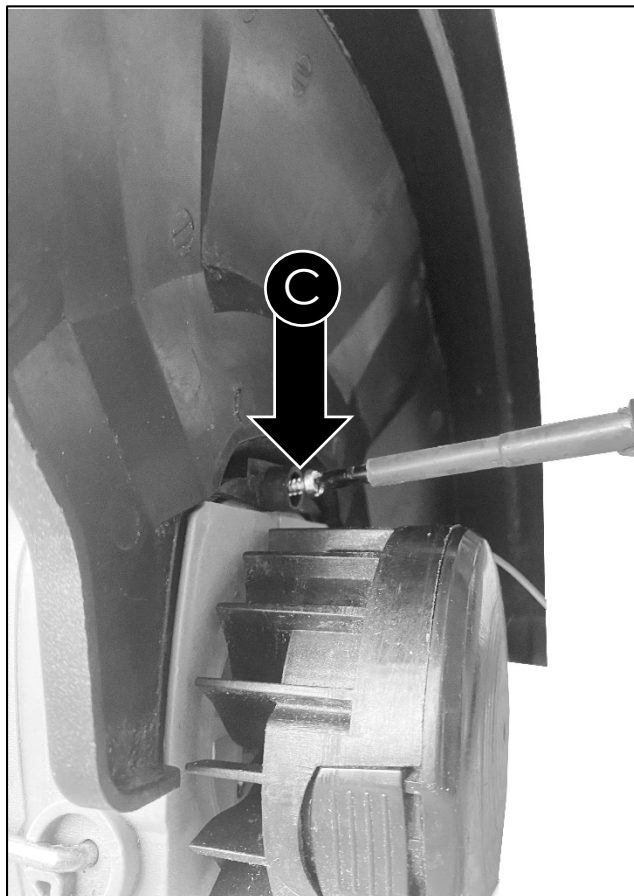
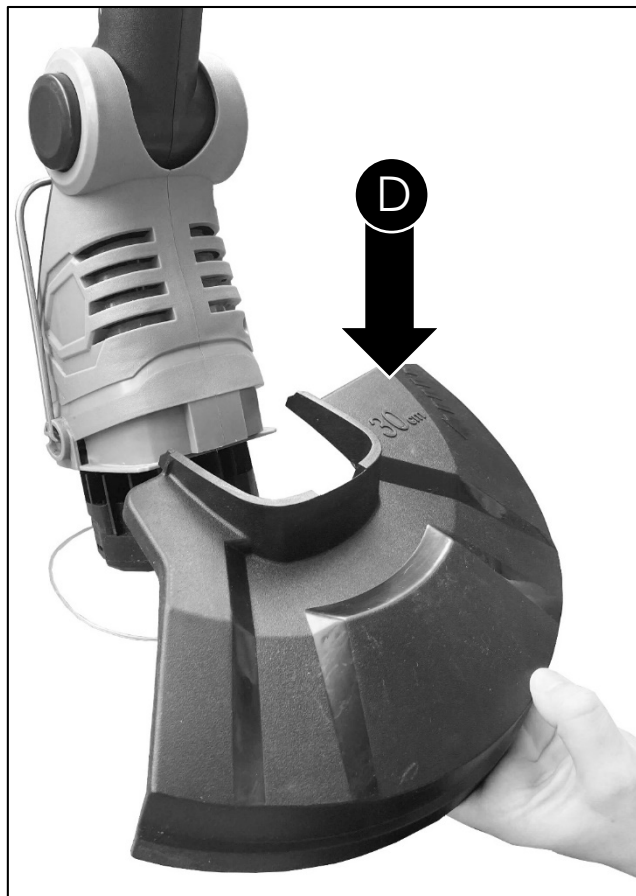
There are 7 steps to the assembly:

- STEP 1. Attach The Guard
- STEP 2. Adjust Handle
- STEP 3. Height Adjustment
- STEP 4. Plant Guard
- STEP 5. Lawn Edging Wheel
- STEP 6. Connecting Cable
- STEP 7. Cable Tidy On Handle

STEP 1 : Attach The Guard

This guard will protect you from any debris and grass. It **MUST** be in place at all times whilst using the machine.

1. Slot the guard **(D)** into place.
2. Screw into place with one of the supplied screws **(C)**.

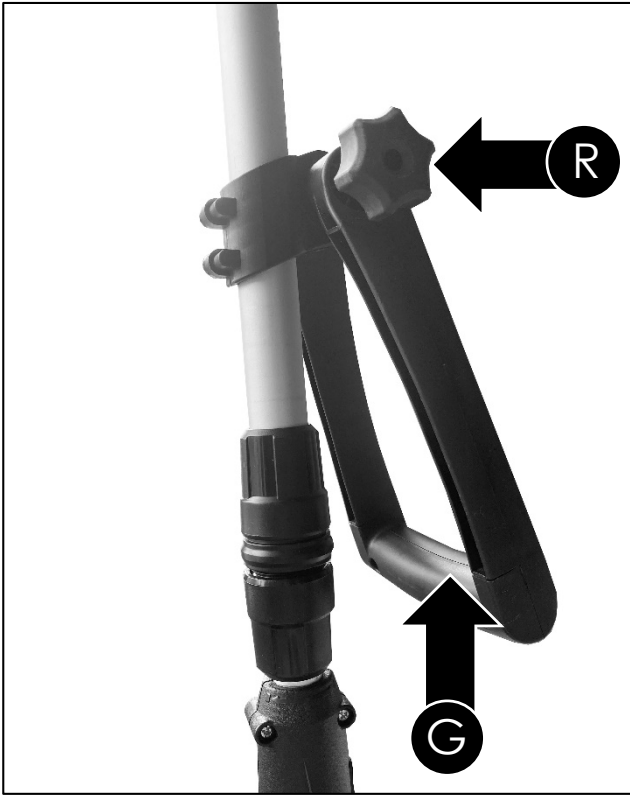


Assembly

STEP 2 : Adjust Handle

You can adjust the D-handle (G) to a comfortable position for you.

1. Unscrew knob (R) to loosen the D-handle (G).
2. Move the D-handle (G) into a position that is comfortable for you.
3. Screw the knob (R) to tighten the D-handle (G) into place.

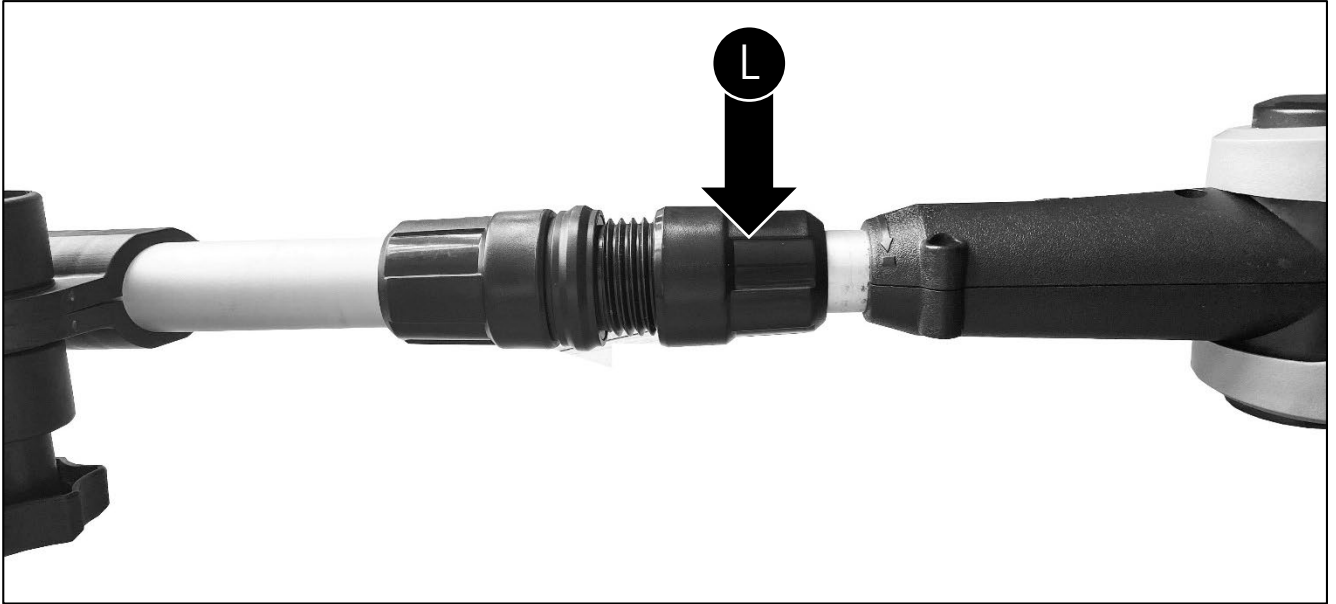


Assembly

STEP 3 : Height Adjustment

You can adjust the height of the pole depending on your height. You can also shorten the pole to make it more compact for storage.

1. Undo the knob **(L)** until the grass trimmer handle can be moved in and out freely.
2. Now set the required working height and secure in this position by tightening the knob **(L)** again.



Assembly

STEP 4 : Plant Guard

You can use this guard to protect flowers and plants when grass trimming.

1. Move the plant guard (O) down to protect your plants and flowers. This guard must be up when using the lawn edging function.

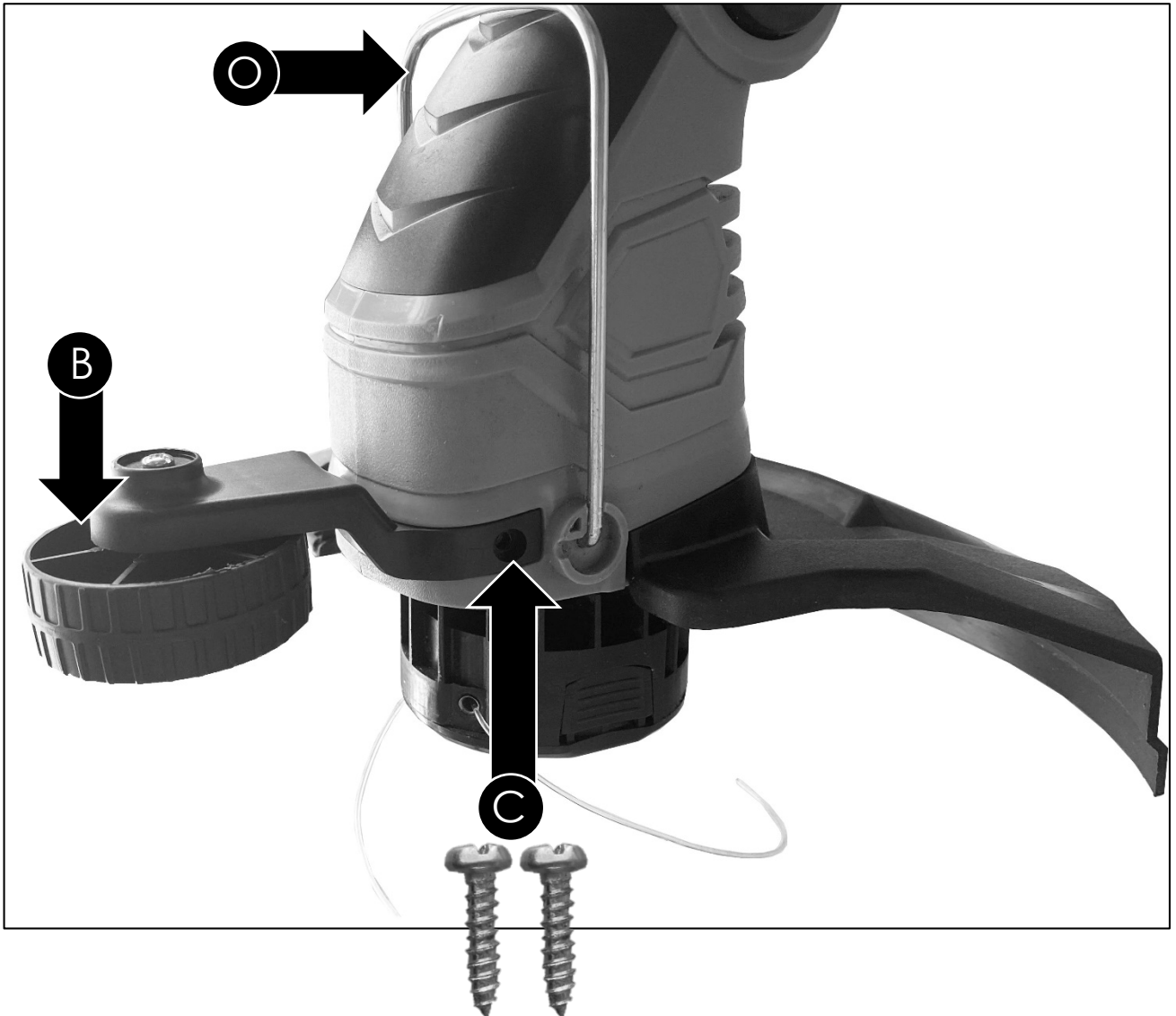


Assembly

STEP 5 : Lawn Edging Wheel

You can attach the edging wheel when you want to use the edging function. You can use it to guide the machine across the edge of the lawn for a tidy finish.

1. Make sure that the plant guard **(O)** is up.
2. Slot the wheel **(B)** into place.
3. Use 2 screws **(C)** that are supplied to screw the wheel into place on both sides.



STEP 6 : Connecting Cable

1. Line the plug up with the two holes and push into place.



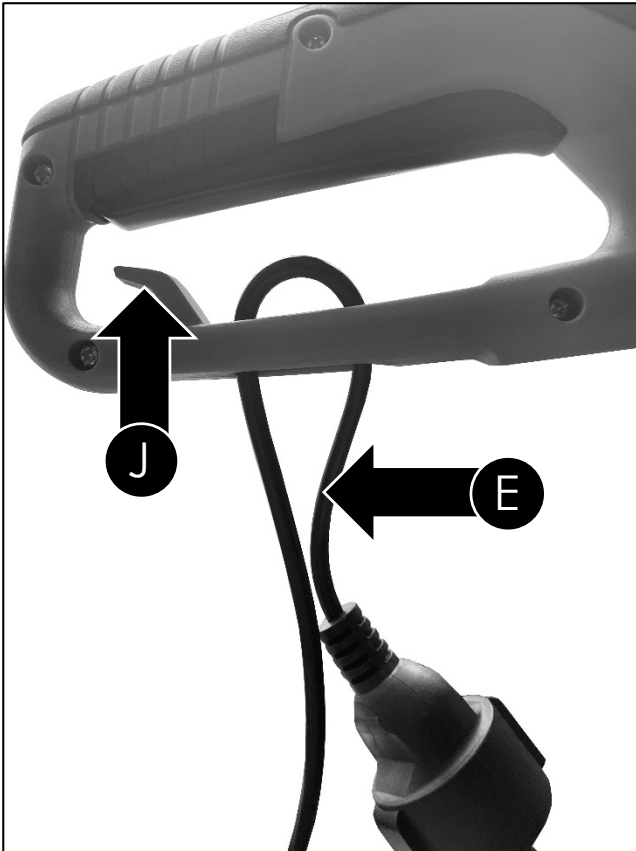
Assembly

STEP 7 : Cable Holder On Handle

⚠ Make sure the machine is disconnected from power before you do this. If the machine is plugged in, you may accidentally press the trigger switch.

This holds the cable in place while in use and prevents strain on the cable.

1. Make a small loop in the power cable (**E**).
2. Put the loop through the hole in the handle and on to the hook (**J**).
3. Slowly pull the loop to remove slack.



Operation

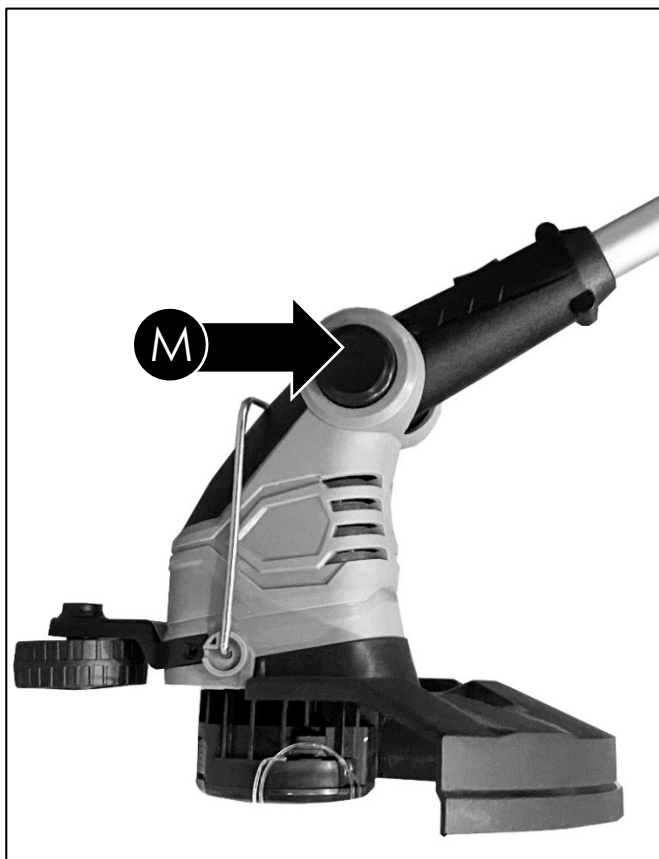
Automatic Line Feed

Every time the machine is switched on, the trimmer line will automatically be given out. You do not need to extend it yourself. There is a built-in line cutter so it will cut the line to make sure it is not too long. You must make sure the cutting head has stopped completely before switching the machine on again.

When the trimmer line has run out, you can replace it following the instructions in this manual. You can either replace the trimmer line or replace the whole spool.

Cutting Head Angle Adjustment

1. There is a button **(M)** either side of the machine. Push both buttons in, this will allow you to adjust the angle of the head.



Operation

Lawn Edging

1. Slide the button **(Q)** up and this will allow you to rotate the head through 180 degrees. **See image 1 and 2.**
2. Squeeze the two buttons **(M)** to adjust the angle of the cutting head. **See image 3.**
3. You can edge your lawn as shown in **image 4.**

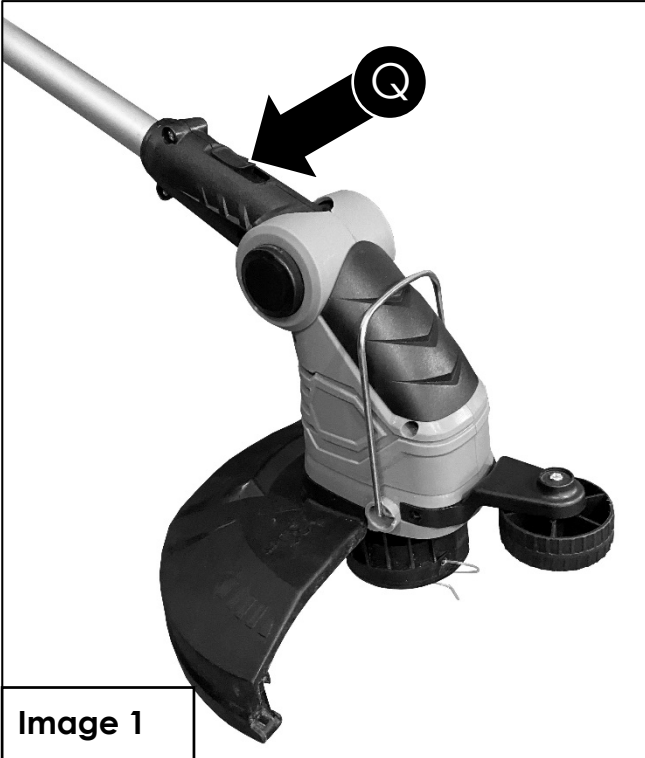


Image 1

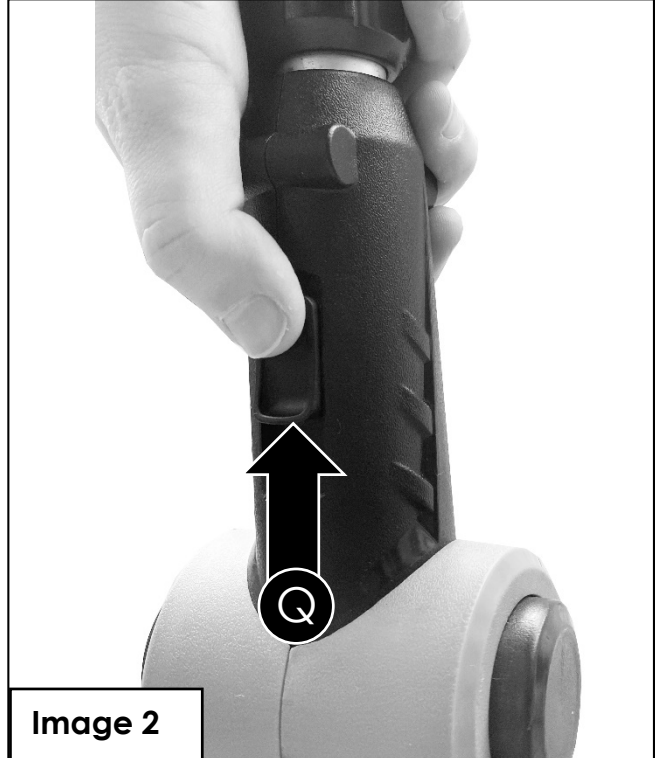


Image 2

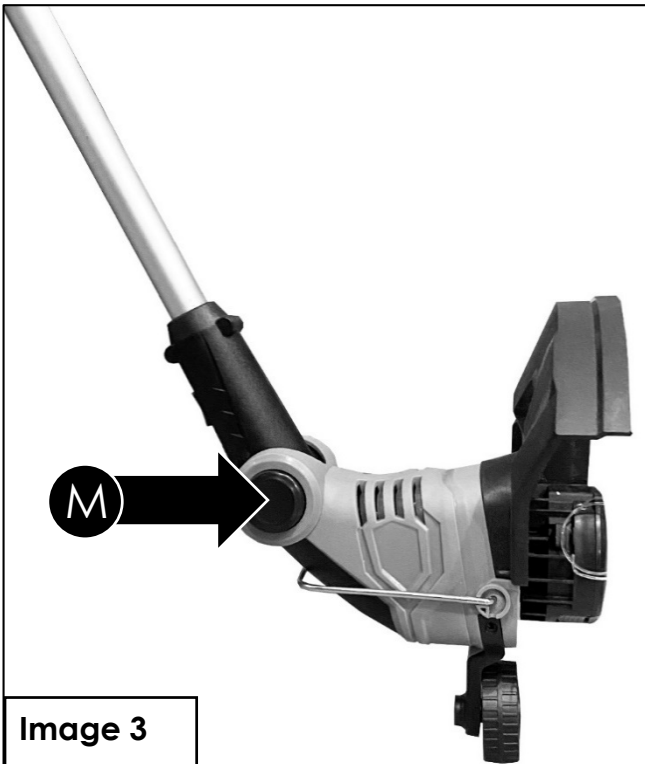


Image 3



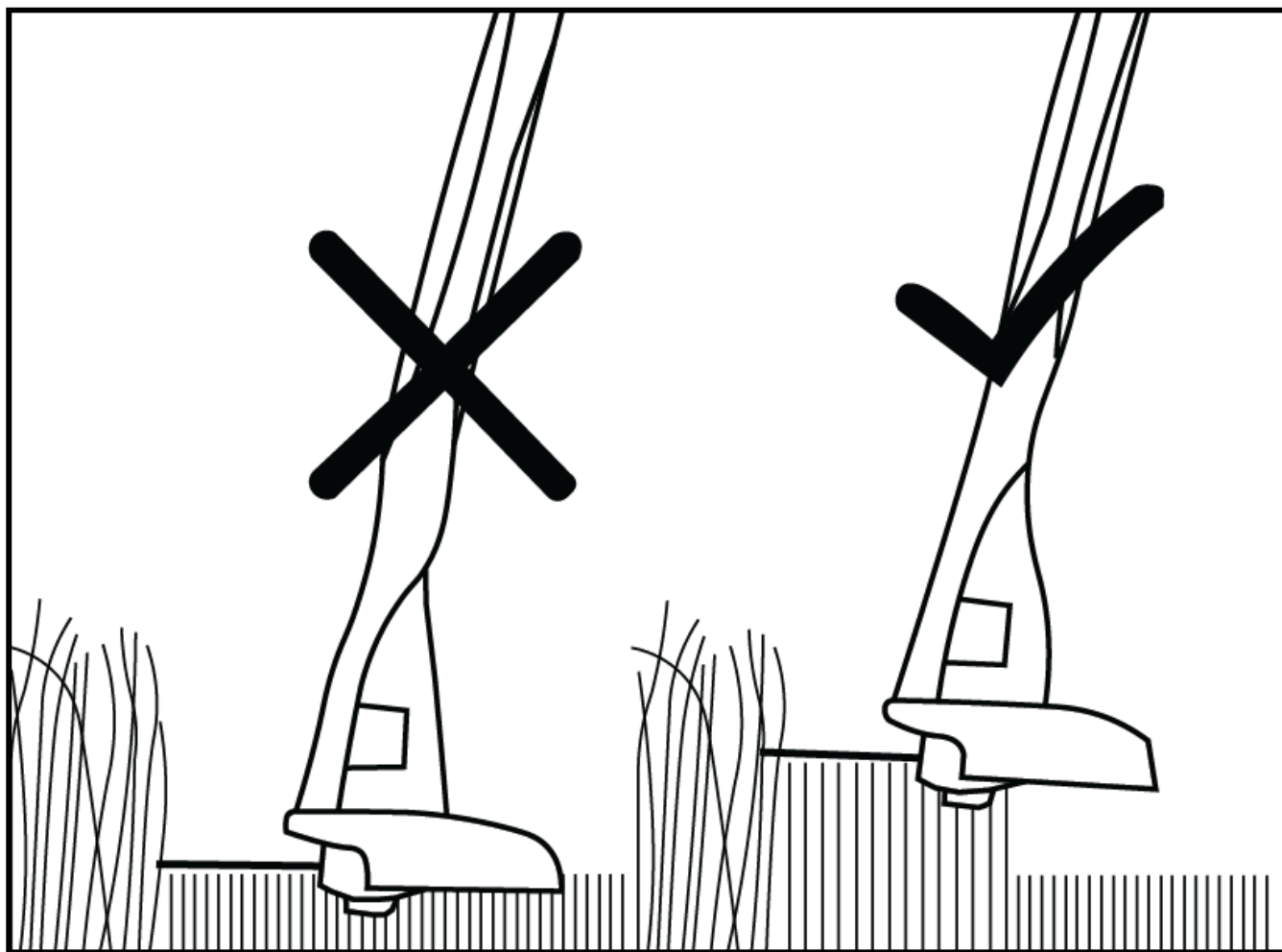
Image 4

Operation

Tips For Use

After reading the safety instructions carefully, follow the instructions below attentively in order to get the most out of your grass trimmer.

1. Start off slowly, when you have gained experience, you will be able to use the grass trimmer to its full potential.
2. Start the grass trimmer before getting close to the grass being cut.
3. Cut the grass by moving the grass trimmer from right to left and proceed slowly.
4. High grass should be cut in layers, always beginning from the top. The cuts should be short.
5. You must always work with the cable away from the trimmer.



Before Starting

1. Check the condition of the cable, if damaged do not use.
2. Ensure that no objects or branches are trapped into the machine.
3. Ensure the work area is tidy and free of any obstacles.
4. Never operate the machine if it is damaged in any way.

Operation

Starting

⚠ YOU MUST read and understand the full safety instruction manual before starting the machine.

1. To start, press and hold the trigger switch **(I)**.

Stopping

⚠ WARNING : Cutting elements continue to rotate for a moment after the motor is switched off.

⚠ WARNING : Always switch off machine before placing it down.

1. Release the trigger switch **(I)**.
2. Unplug from the mains supply.



Maintenance & Care

General Maintenance

⚠ WARNING : Turn OFF the machine, allow all moving parts to come to a complete stop, and disconnect the power cord before maintaining the machine. You need to wear proper clothing and protective gloves whenever your hands are at risk.

- Keep all nuts, bolts and screws tight to be sure the machine is in a safe working condition.
- Replace worn or damaged parts for safety. Only use manufacturer-recommended parts and accessories.

Cleaning

⚠ Always remove the electric plug from the mains supply before any cleaning is undertaken.

- Remove any grass and mud after each use to prevent it from drying. Use a clean cloth to remove dirt, grease, etc.
- DO NOT use any water on any part of the main machine.
- Avoid using solvents when cleaning plastic parts. Most plastics are susceptible to damage from various types of commercial solvents and may be damaged by their use.
- Always ensure that ventilation openings are kept clear of debris.

Trimmer Line

There are two options to replace the trimmer line:

- 1. Replace Trimmer Line** (Keep the same spool and re-fill with new trimmer line).
- 2. Replace Spool** (Replace the empty spool with a new spool that is ready to use).

There are instructions on how to do both options in this manual.

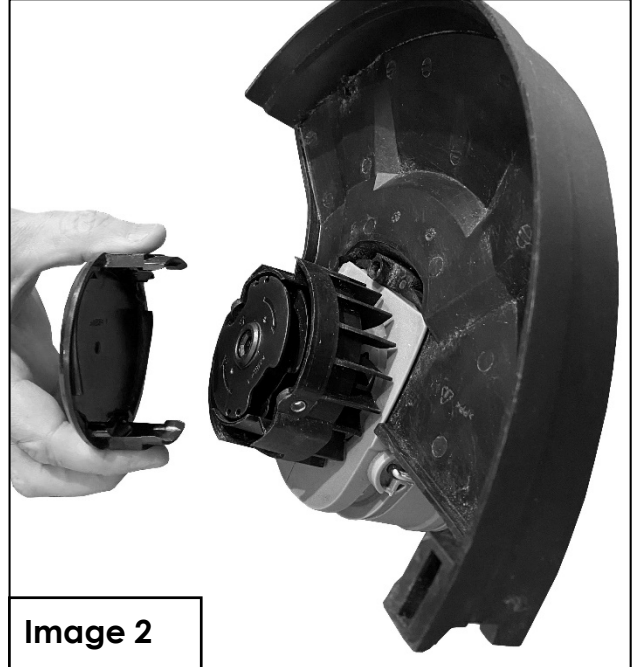
Maintenance & Care

Replacing Trimmer Line

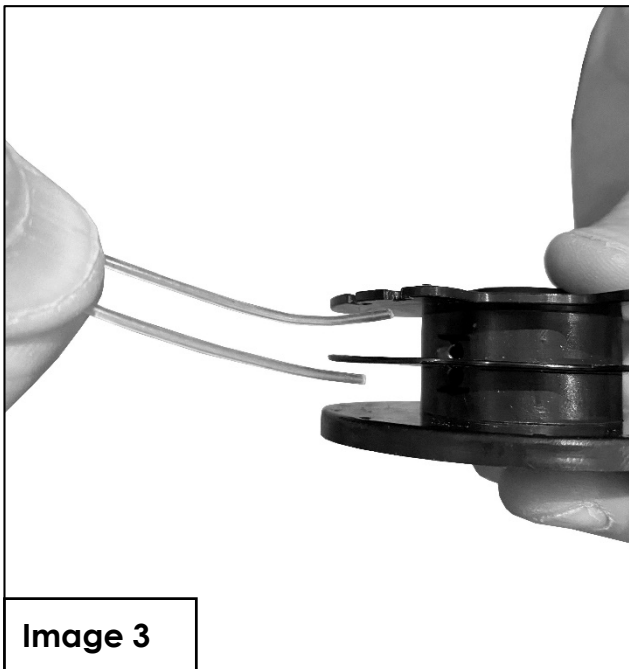
We recommend using 1.3mm, 1.4mm or 1.5mm nylon grass trimmer line.

⚠ WARNING : Make sure the machine is disconnected from the power supply.

1. Turn the trimmer so that the cutting head is facing upwards. Squeeze the two tabs on the spool cover. **See image 1.**
2. Pull spool cover away from spool. **See image 2.**



3. Cut two lengths of nylon trimmer line 5m in length and insert the end of each line into the two holes in the trimmer spool reel. **See image 3.**
4. Wind the trimmer line around the reel in the direction of the arrow. **See image 4.**



Maintenance & Care

Replacing Trimmer Line (Continued)

5. Clip the trimmer lines onto the reel as shown. **See image 5.**

6. Thread the trimmer line through the holes in the spool body. Slide the reel onto the drive shaft. **See image 6.**

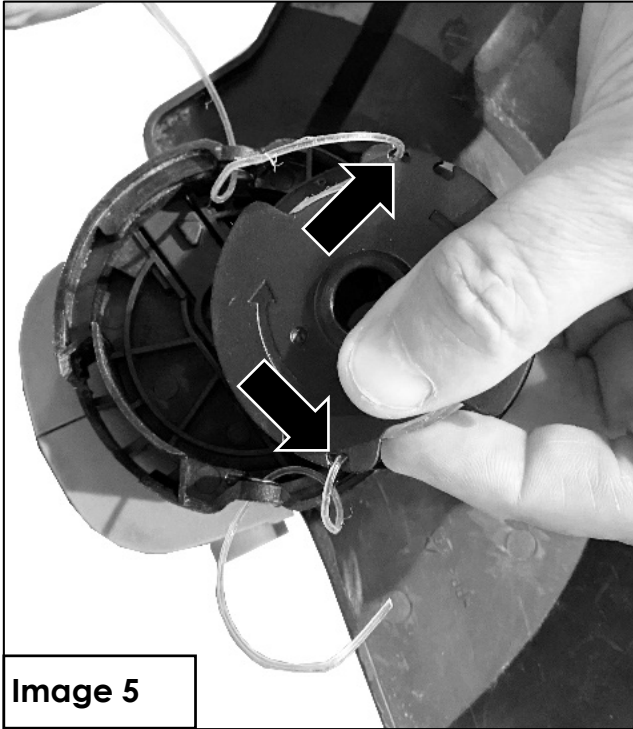


Image 5

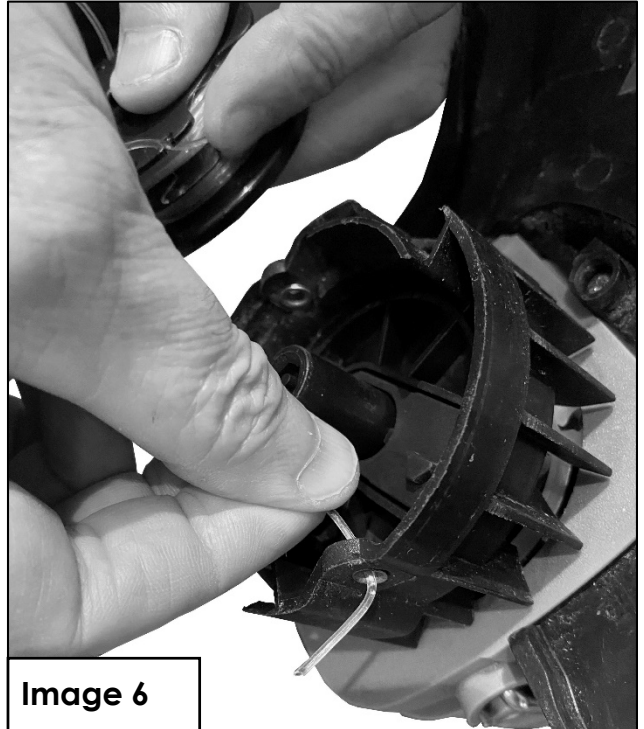


Image 6

7. Pull the trimmer line outwards to release it from the reel clips. **See image 7.**

8. Slide the spool cover over the spool assembly and push firmly into place. When you use the trimmer, any excess trimmer line will be cut off with the trimmer blade mounted on the guard. **See image 8.**

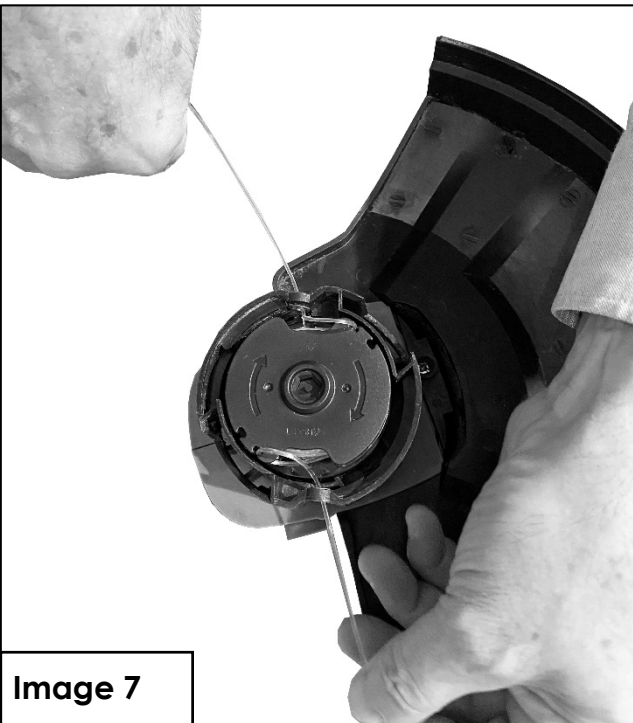


Image 7

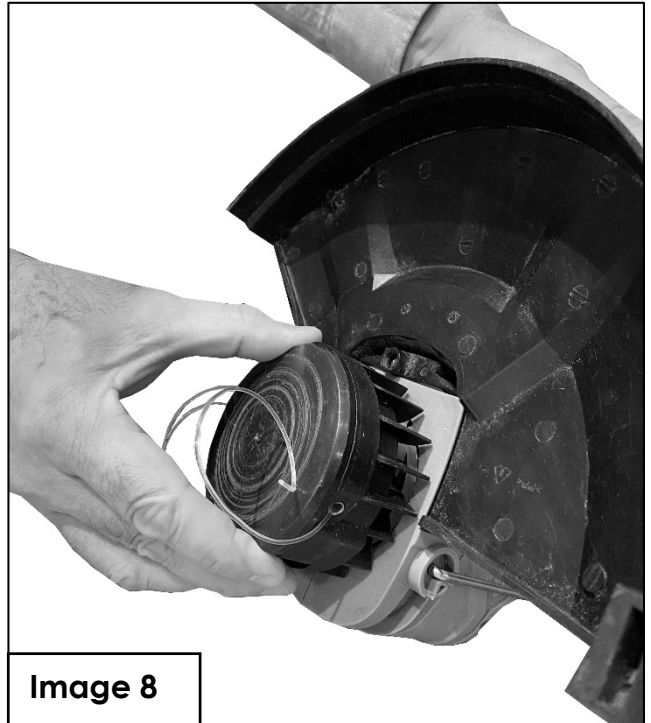


Image 8

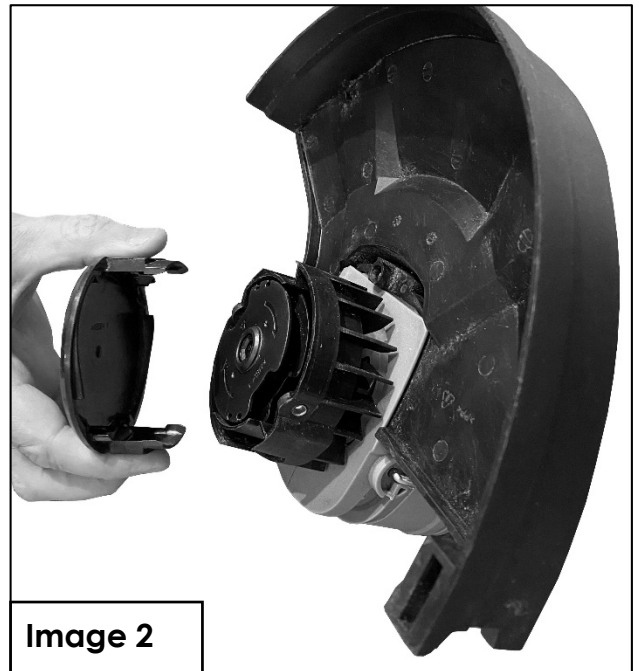
Maintenance & Care

Replacing Spool

Spare Spool Part Number : 1317019

⚠ WARNING : Make sure the machine is disconnected from the power supply.

1. Turn the trimmer so that the cutting head is facing upwards. Squeeze the two tabs on the spool cover. **See image 1.**
2. Pull spool cover away from spool. **See image 2.**



3. Remove the empty line spool. **See image 3.**



Continued on next page 

Maintenance & Care

Replacing Spool (Continued)

4. On the new spool, free both ends of the line. Thread both ends of the line through the holes on the spool body with the smooth side with the arrow facing upwards. Make sure the ends of the line do not slip out of the holes. **See image 4.**
5. Insert the new spool onto the cutting head. **See image 5.**

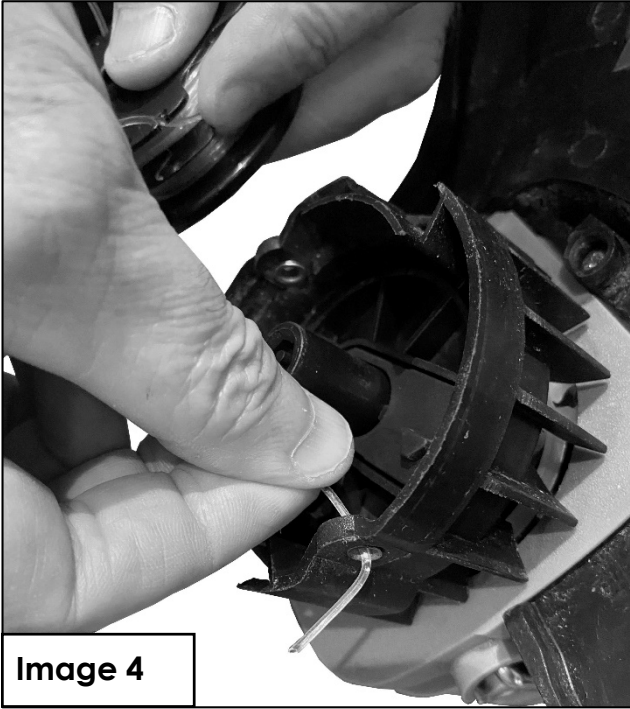


Image 4

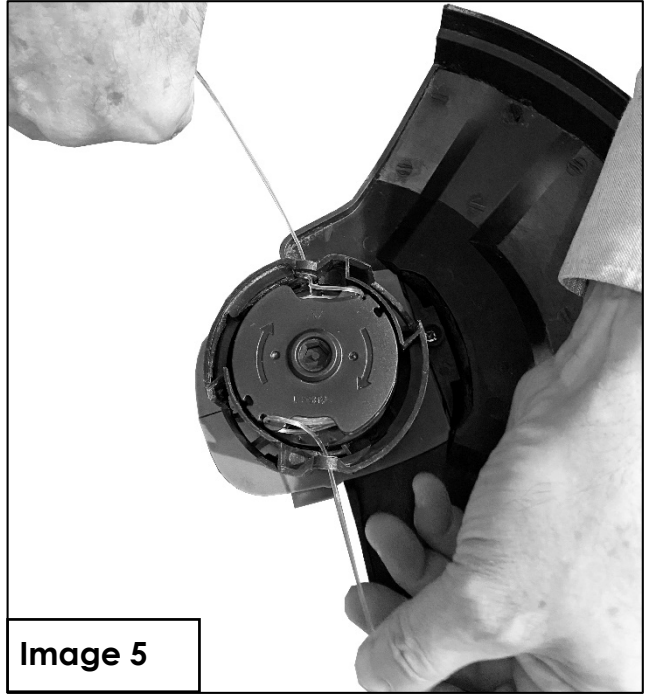


Image 5

6. Slide the spool cover over the spool assembly and push firmly into place. When you use the trimmer, any excess trimmer line will be cut off with the trimmer blade mounted on the guard. **See image 6.**

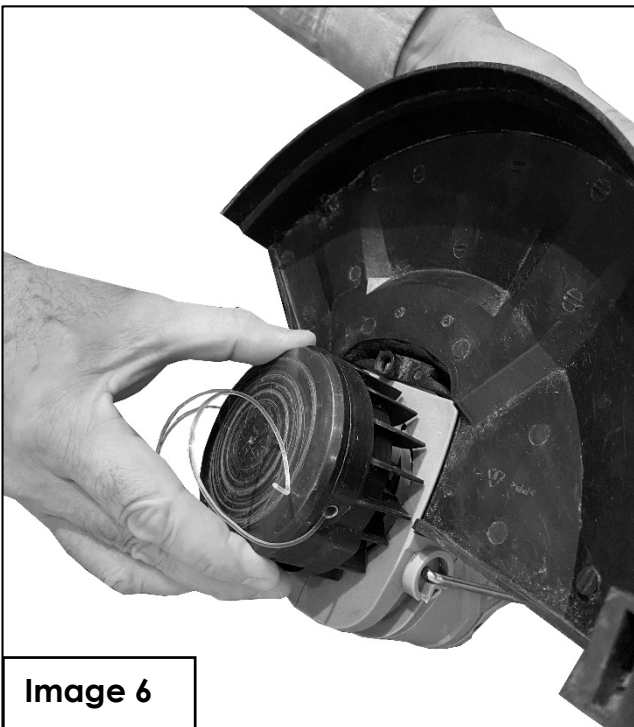


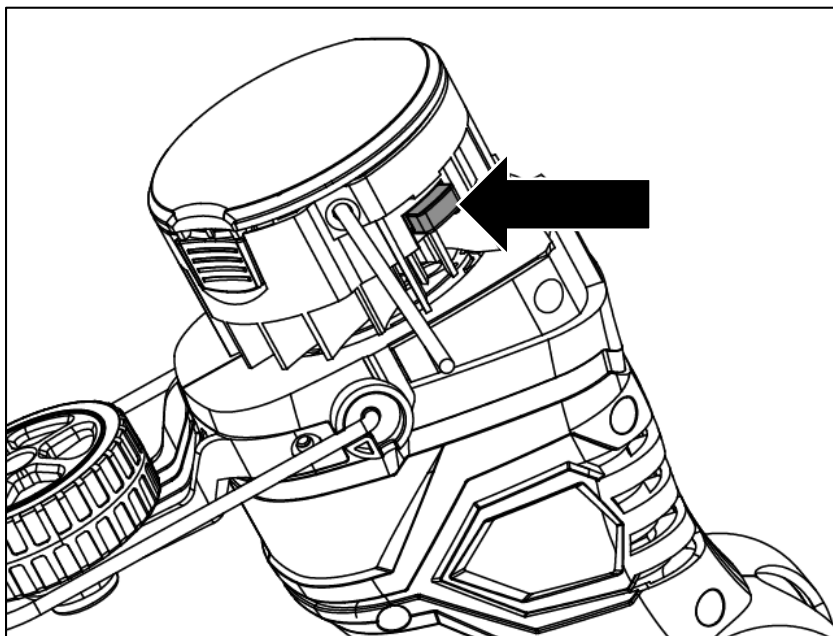
Image 6

Maintenance & Care

Snapped Trimmer Line

If the trimmer line breaks or snaps and is not long enough, you can manually extend the trimmer line.

1. There is a small button (**see diagram**). You can press this button and then pull the line out 1 cm.
2. If you need to extend the line more than 1 cm, you must press the button again and pull the line out another 1 cm.
3. Any excess trimmer line will be cut off with the trimmer blade mounted on the guard.



Troubleshooting

⚠ NOTE : All corrective actions should be carried out by suitably qualified person/s.

Problem	Possible Cause	Possible Solution
Machine will not start.	Fuse in mains plug blown / faulty	Check fuse in mains plug and replace is necessary.
	Internal wiring fault.	Contact your service dealer.
Machine functions intermittently.	Internal wiring fault.	Contact your service dealer.
Trimmer line not feeding.	Trimmer line not installed correctly.	Check user manual for fitting instructions.
Trimmer not cutting cleanly.	Incorrect trimmer line installed.	Check trimmer line thickness – replace if incorrect.
	Trimmer head clogged with grass trimmings.	Cut power to motor and clear any built up grass trimmings around the trimmer head.
	Trimmer head not spinning at correct speed.	Contact your service dealer.

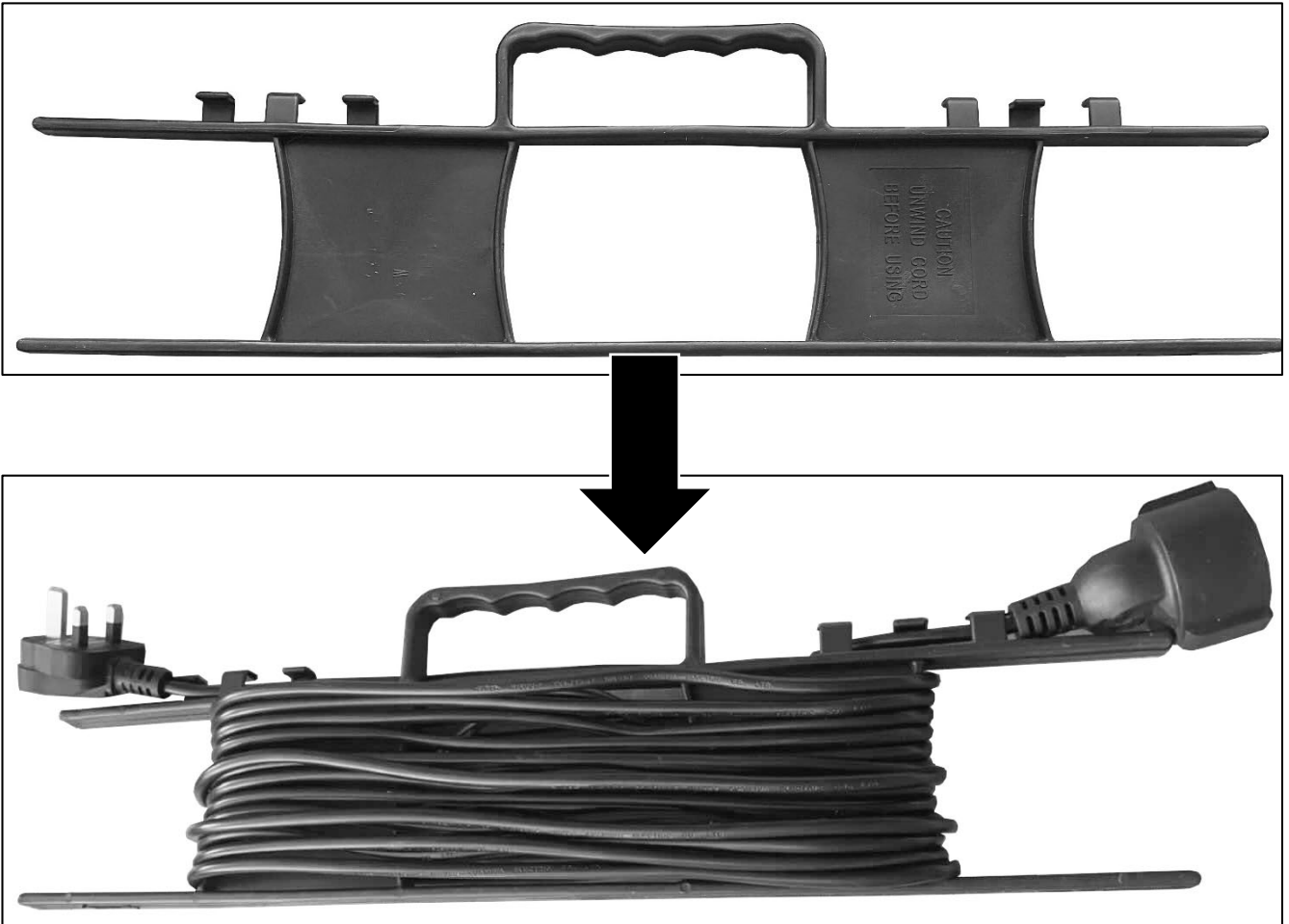
Maintenance & Care

Storage

⚠ Keep the machine stored in a dry, level area away from damp, moisture and rain fall. Allow the machine to cool down before storing.

- Make sure the machine is clean and dry before storing.
- Make sure the machine is stored away from direct sunlight. Store indoors or in a safe, locked protected area during severe weather and winter months.
- Ensure the machine is stored in a position, where any persons cannot step on to attempt to reach items up high, due to risk of movement.
- DO NOT store the machine near an ignition source, such as a wood stove, gas or electric heater, or an appliance or heater with a pilot light.
- Store the machine out of reach of children or anyone who is not familiar with operation.
- DO NOT stack other items on top of the machine when in storage.

You can use the cable tidy to wrap the cable around during storage.



Technical Data

Specification

Model	HYTR600E
Voltage	230V
Frequency	50Hz
Input Power	600W
No Load Speed	10000rpm
A-Weighted Sound Pressure Level LpA	82dB(A)
A-Weighted Sound Power Level LWA	94.76dB(A)
Uncertainty K	1.66dB(A)
Guaranteed Sound Power Level (in accordance with 2000/14/EC)	96dB(A)
Vibration (in accordance with EN 28662-1)	2.302m/s ² K=1.5m/s ²
Net Weight	2.5kg

Recycling & Disposal

Recycling & Disposal

We do not offer a takeback scheme for the recovery of Waste Electrical Electronic Equipment (WEEE) & Batteries. Instead the responsibility to dispose of WEEE and/or Batteries is passed onto you by us.

So when it becomes necessary to dispose of your machine you must take it to your local Civic Amenity Site. For further information please contact your local Authority for disposal advice.

You MUST make sure that all unused oil and fuel is disposed of correctly either beforehand or at your local Civic Amenity Site.

- Under NO circumstances must any fuel or oil be put down any drains.
- Certain products contain WEEE waste which should not be disposed of in your domestic waste.
- You MUST recycle WEEE in accordance with your local authority or recycling centre.
- Certain products contain batteries which should not be disposed of in your domestic waste.
- You MUST recycle batteries in accordance with your local authority or recycling centre.
- Unwanted packaging and materials should be stored and taken to a recycling centre so it can be disposed of in a manner which is compatible with the environment.

We are a Member of the VALPAK National Compliance Scheme and our registration number is RM08660. For further information about disposal please contact your Local Authority.

You can also get more advice and guidance about recycling at the following website <http://www.recycle-more.co.uk>

Should you pass this product on to another user either sold or loaned, you MUST pass on this user manual. This will make sure that all other users can use and maintain this machine safely.

Environmental Protection

1. Environmental protection should be a priority of considerable importance when using the machine, for the benefit of both social coexistence and the environment in which we live. Try not to cause any disturbance to the surrounding area.
2. You must comply with local regulations and provisions for the disposal of packaging, oils, fuel, filters, damaged parts or any elements which have a strong impact on the environment. This waste must not be disposed of as normal waste. It needs to be separated and taken to specified waste disposal centres where the material will be recycled.
3. You must comply with local regulations for the disposal of waste materials after mowing.
4. When disposing, do not pollute the environment with the machine, but hand it over to a disposal centre, in accordance with the local laws in force.

EU Declaration Of Conformity

Importer and Authorised Representative

Genpower Ltd
Isaac Way, Pembroke Dock, SA72 4RW

Country of Origin: China

Description: 600W Grass Trimmer

SKU Code: HYTR600E

Date of Issue: 10/03/2021

Regulations and Directives of Compliance

- 2006/42/EC The Machine Directive
- 2014/30/EU EMC Directive
- 2011/65/EU RoHS
- 2000/14/EC Noise Emissions

Statement of Declaration

We the importer and authorised representative of the product described confirm conformity within the provisions of applicable regulations and directives listed within this document.

Signed on Behalf of Genpower Ltd

Place of Issue: Genpower Ltd

Signatory Name: Roland Llewellyn

Position: Managing Director

R J Llewellyn
.....



Useful Information

Check Out Our YouTube Channel

Our videos on YouTube include:

- Unboxing
- Assembly of your machine
- How to service your machine
- Products in use
- 'How To' videos
- Product features

Go to YouTube and search '**Hyundai Power Products**'.

Warranty

Proof of purchase will be required before you make a warranty claim. Full warranty terms and conditions can be found on the HYUNDAI POWER PRODUCTS website:
www.hyundaipowerproducts.co.uk

Manual Updates

Our manuals are constantly being reviewed and updated. Should you find an error, omission or something unclear, please contact us for assistance. We reserve the right to make any modifications without prior notice whenever necessary. Our latest manuals are also placed online. All our manuals can be downloaded at:
www.hyundaipowerproducts.co.uk

Returning Your Product

If you are returning your product, please contact the dealer for their returns policy.

Leaving A Review

We work very hard to give all of our customers the best possible service. If you have any problems, before leaving negative feedback, please contact us to give us a chance to resolve the issue. We would be delighted if you left us positive feedback! To leave a review, please go to:
uk.trustpilot.com/review/hyundaipowerequipment.co.uk

Ordering Spare Parts

You can find the spare part you are looking for at **power-spares.co.uk**

Product Record

Information

As soon as you have purchased the machine, we recommend that you fill out the following. If you need to contact an authorised dealer or customer service for information on servicing, you may need to provide the following information.

Date Of Purchase:.....

Dealer Name:.....

Dealer Phone:.....

Model Number:.....

Serial / Batch Number:.....

Contact Us

Need Help? Talk To Our Experts

Our friendly aftersales team will be more than happy to help you.



Phone

Call our team on 01646 687 880



Email

aftersales@hyundaipowerproducts.co.uk



Online Live Chat

Go to www.hyundaipowerproducts.co.uk



Post

Genpower Ltd, Isaac Way, Pembroke Dock, Pembrokeshire, SA72 4RW.



Our Knowledgebase

Go to hyundaisupport.co.uk

HYUNDAI

POWER PRODUCTS

Importer:

GENPOWER LTD

Isaac Way, London Road,
Pembroke Dock, UK, SA72 4RW.

T: +44 (0) 1646 687 880

E: info@hyundaipowerproducts.co.uk

www.hyundaipowerproducts.co.uk

Imported / Distributed by Genpower Ltd for the United Kingdom & Ireland

Licensed by Hyundai Corporation, Korea